

ME 023

APPLICATION:
0136403005

CODE	AM 100023	DUTY TIME	S1
VOLTAGE	72V	ISOL. CL.	H
POWER	0,8KW	I.P.	20
ROT.	CWDE	NW	1,2
R.P.M.	1800	TYPE	COMPOUND
AMP	15	FLANGE	60X60 GR2

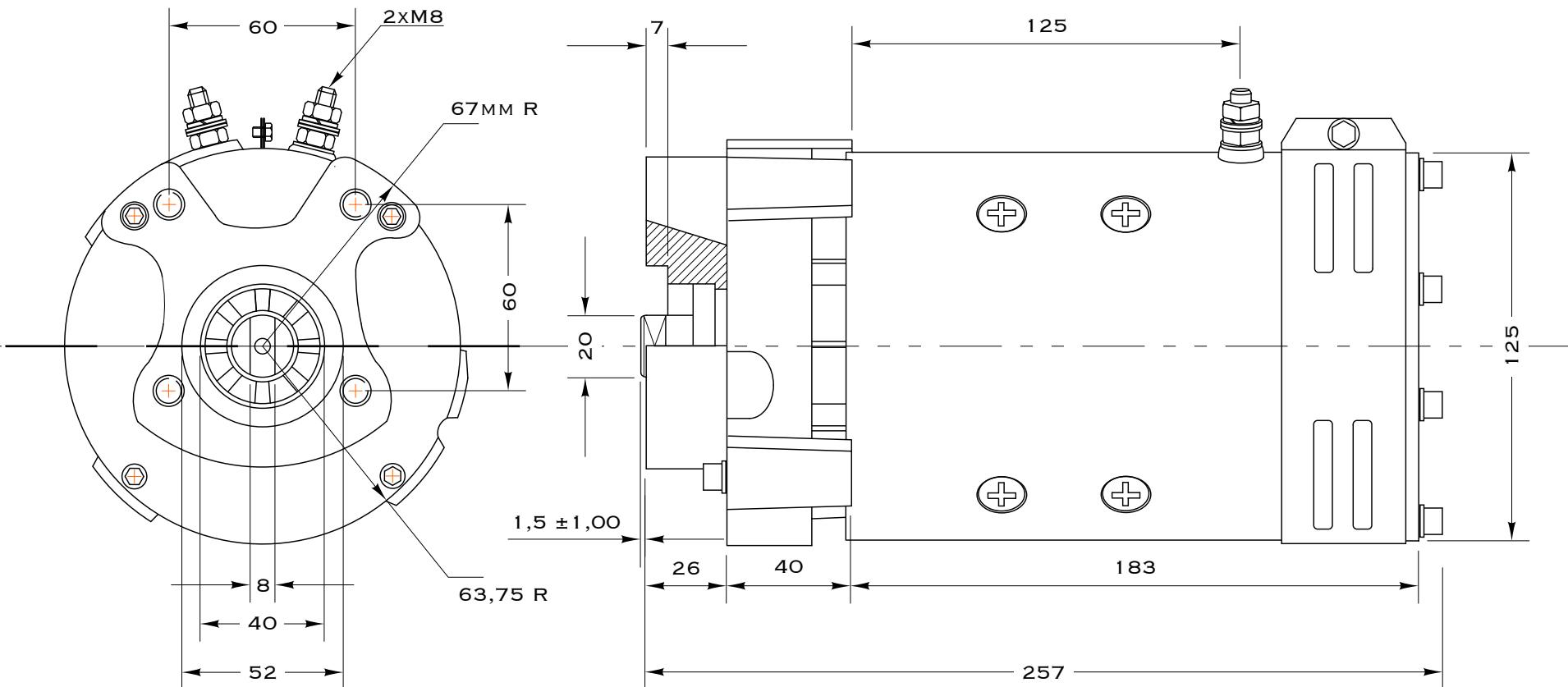
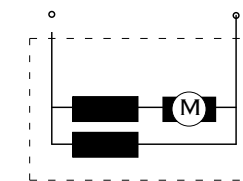
SCALE 1:2

POWER CADD

21.9.2014

DF TITTONI

D1E1 (+) D2.E2 (-)



L I H G F E D C B A