

AM 424517

SERIE 400***

CODE

B5/71

VOLTAGE

24V

POWER

550W

ROT.

R+L

R.P.M.

1700

AMP

29

DUTY TIME

S2 60MIN

CONTINUE

WEIGHT

6,80 KG

I.P.

54

NW

3,2

TYPE

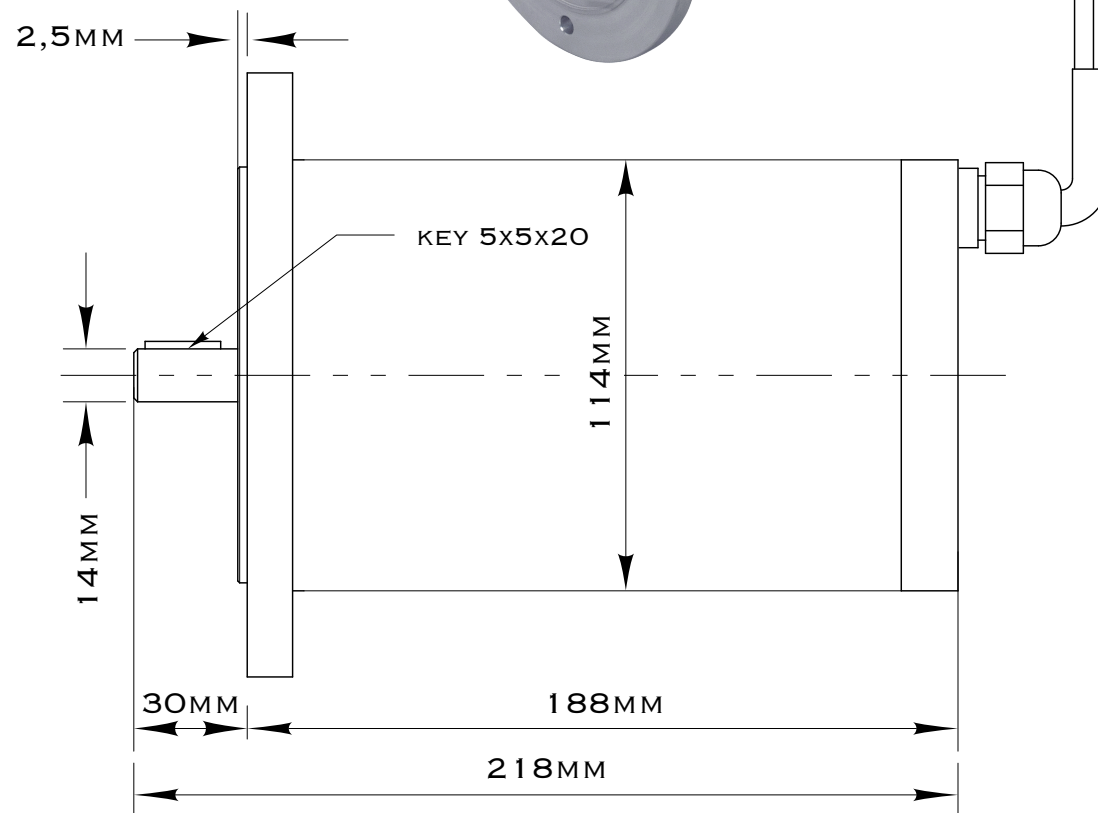
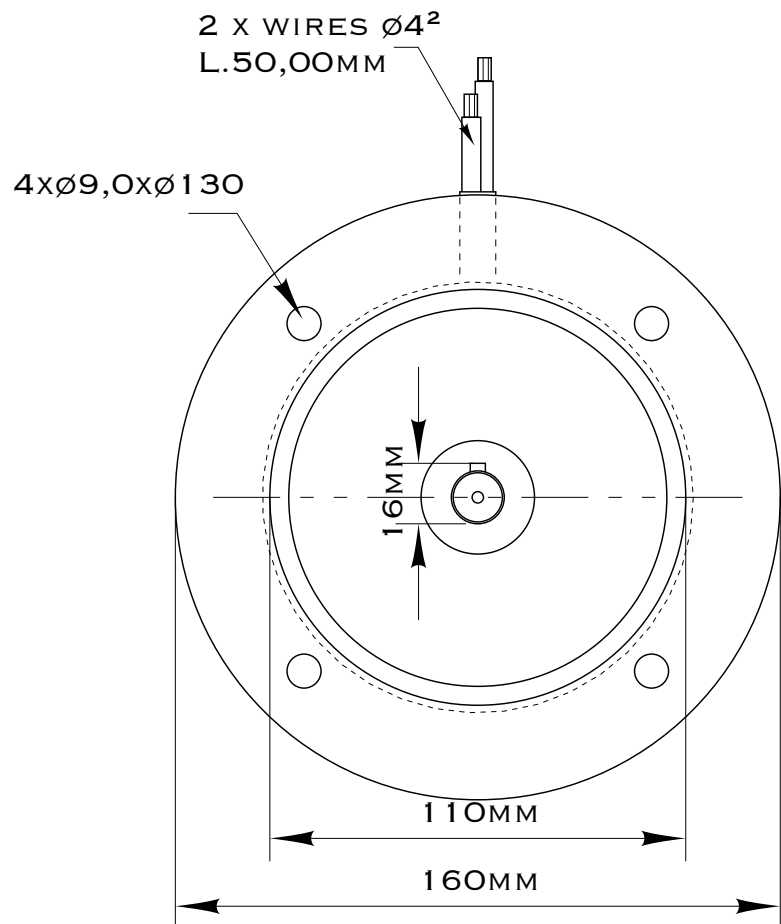
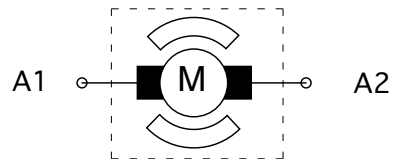
PERM.MAGN

SCALE 1:2

POWER CADD

10.03.2017

DF TITTONI



L I H G F E D C B A

10
9
8
7
6
5
4
3
2
1