

REF: AM 600067

HPI: 116001A

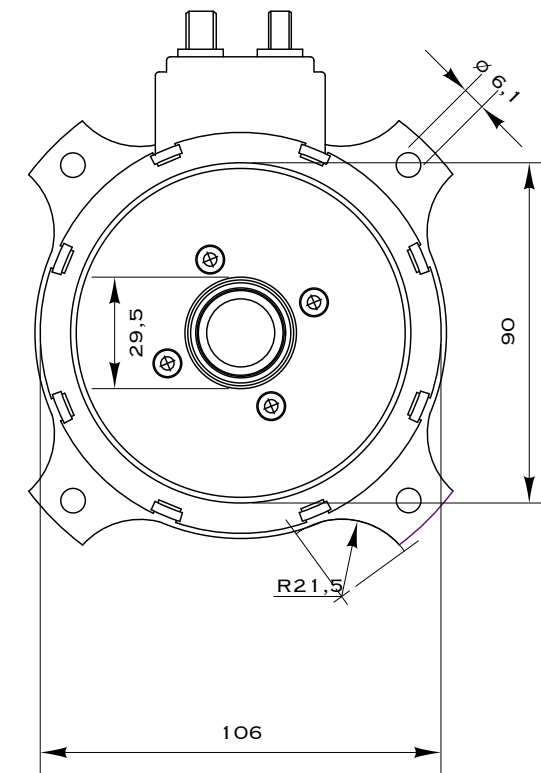
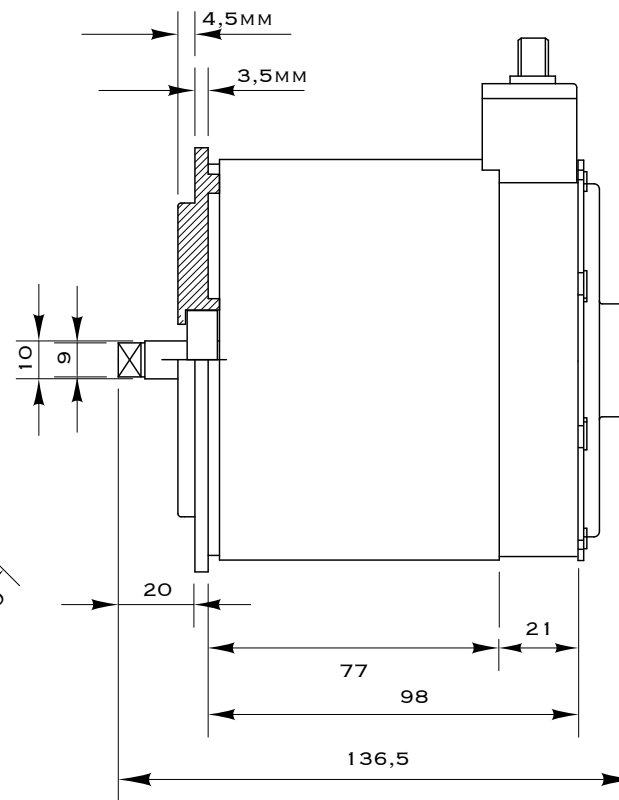
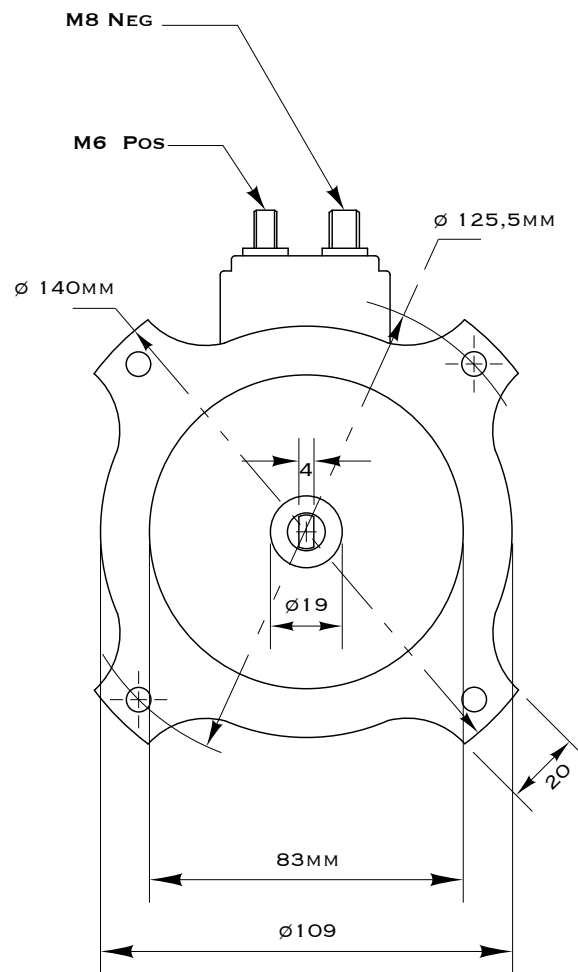
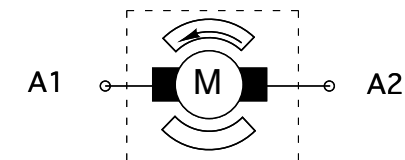
CODE	BT 600067	DUTY TIME	S3 10%
VOLTAGE	24V	ISOL. CL.	F
POWER	1.0 KW	I.P.	44
ROT.	CCWDE	NW	2,4
R.P.M.	4100	TYPE	PERM.MAGN
AMP	54	REPL.	HPI

SCALE 1:2

POWER CADD

28.12.2018

DF TITTONI



L I H G F E D C B A

10  
9  
8  
7  
6  
5  
4  
3  
2  
1