

BT 600042

APPLICATION:  
E.H.P.S  
AUTOMOTIVE

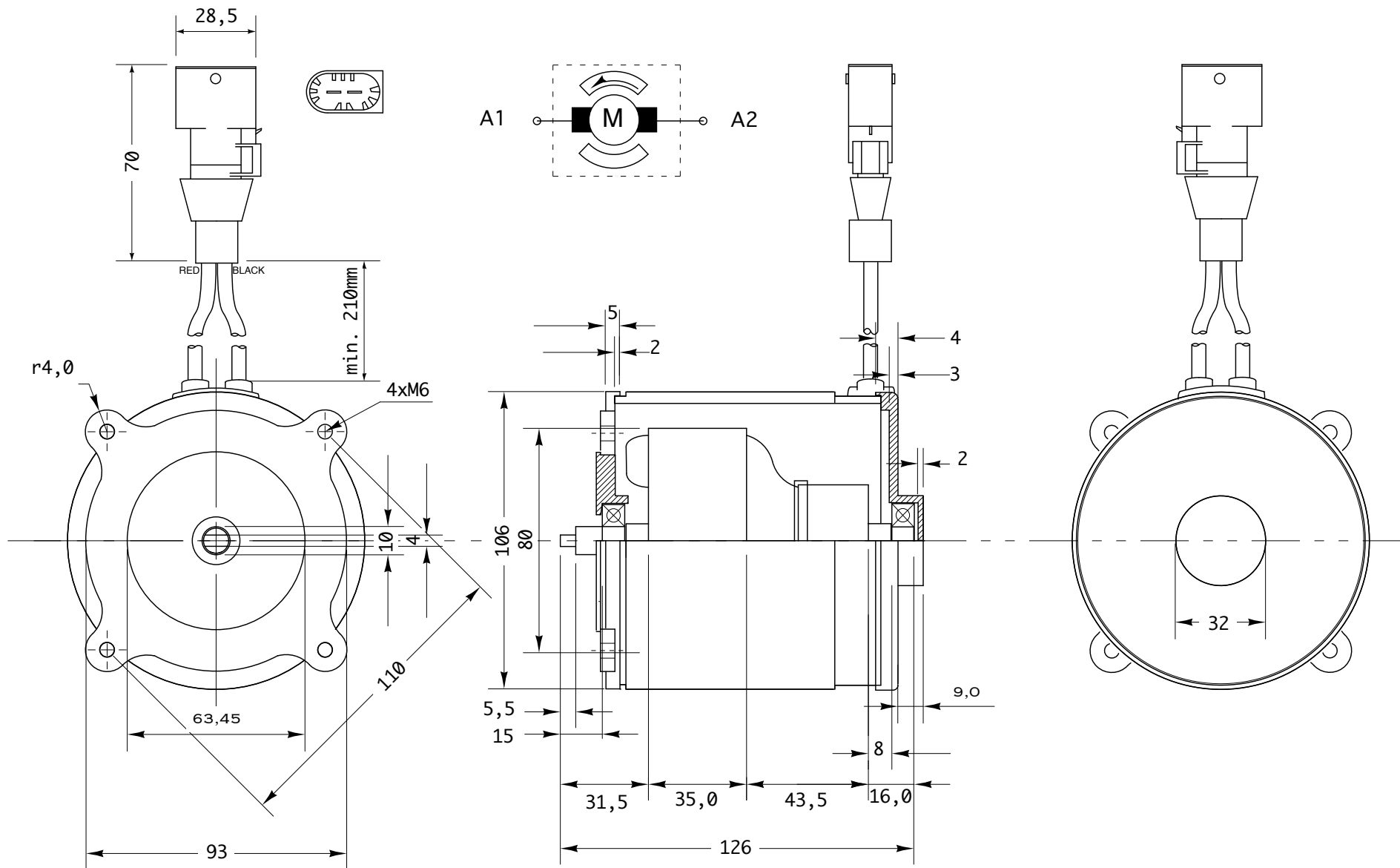
CODE  
VOLTAGE  
POWER  
ROT.  
R.P.M.  
AMP

BT 600042  
12V  
600WATT  
CCWDE  
3100  
62

DUTY TIME S2 60MIN  
ISOL. CL. G  
I.P. 44  
NW 2,5  
TYPE PERM.MAGN  
REPL. HPI

SCALE 1:2  
POWER CADD  
21.1.2010  
DF TITTONI

10  
9  
8  
7  
6  
5  
4  
3  
2  
1



L I H G F E D C B A