

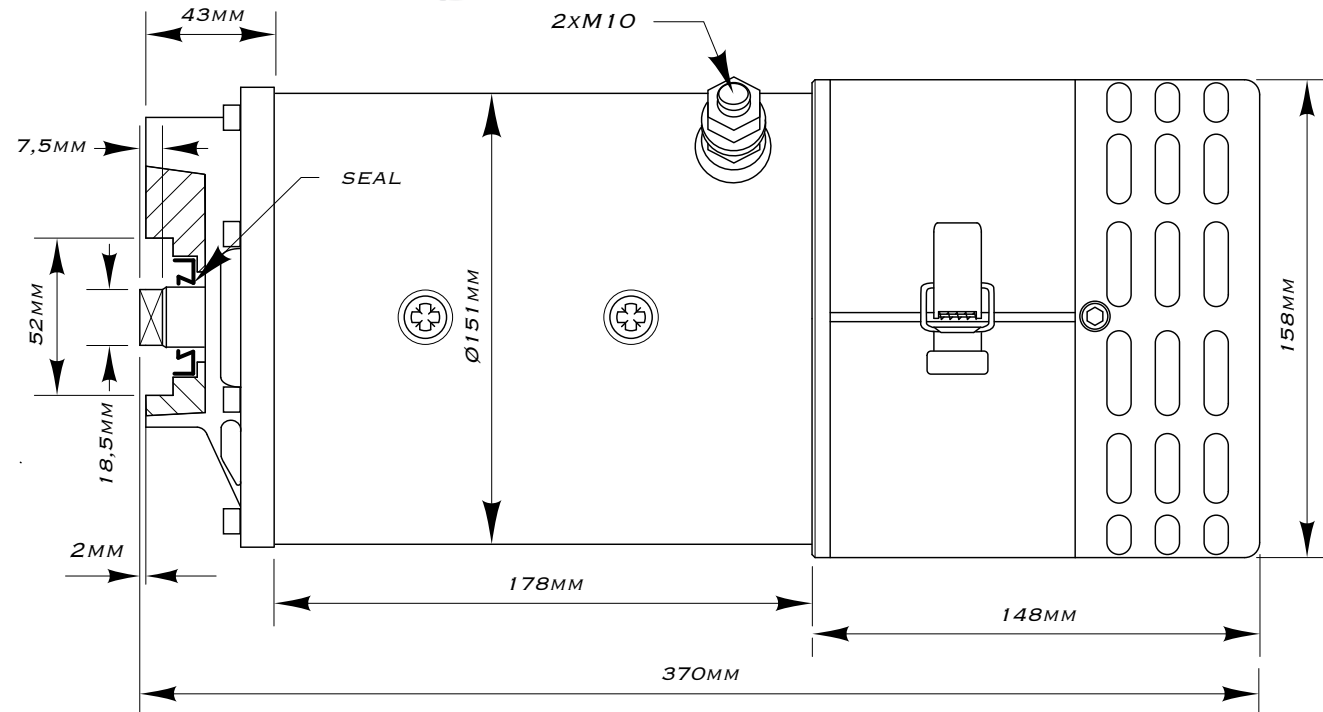
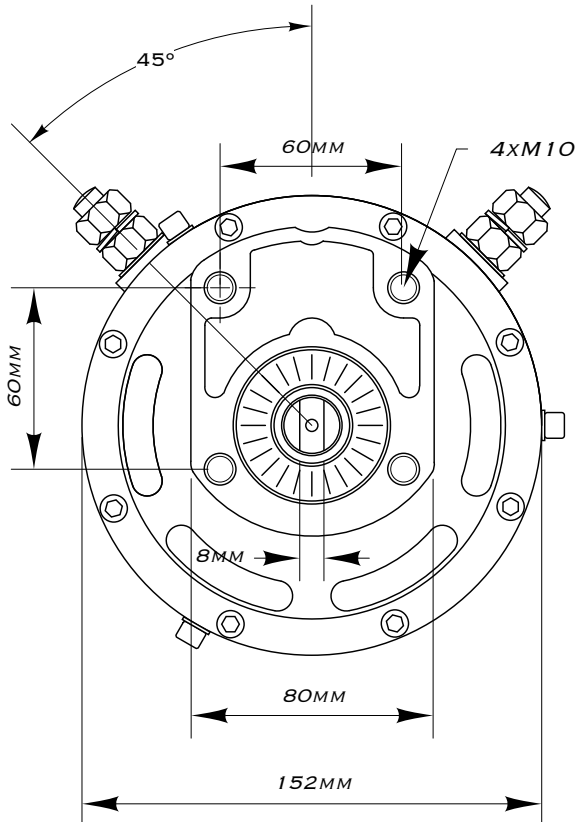
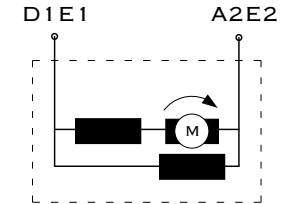
AM 102520

APPLICATION:
HYDRAULIC

CODE	1520 CFR
VOLTAGE	24V
POWER	5,5KW
ROT.	CWDE
R.P.M.	1980
AMP	287

DUTY TIME	S2 9MIN
ISOL. CL.	H
I.P.	21
NW	27,9
EXCITATION	COMPOUND
REPL.	BOSCH

SCALE	1:2/5
POWER CADD	
	10.10.2018
	DF TITTONI
	METRIC



L I H G F E D C B A

10
9
8
7
6
5
4
3
2
1