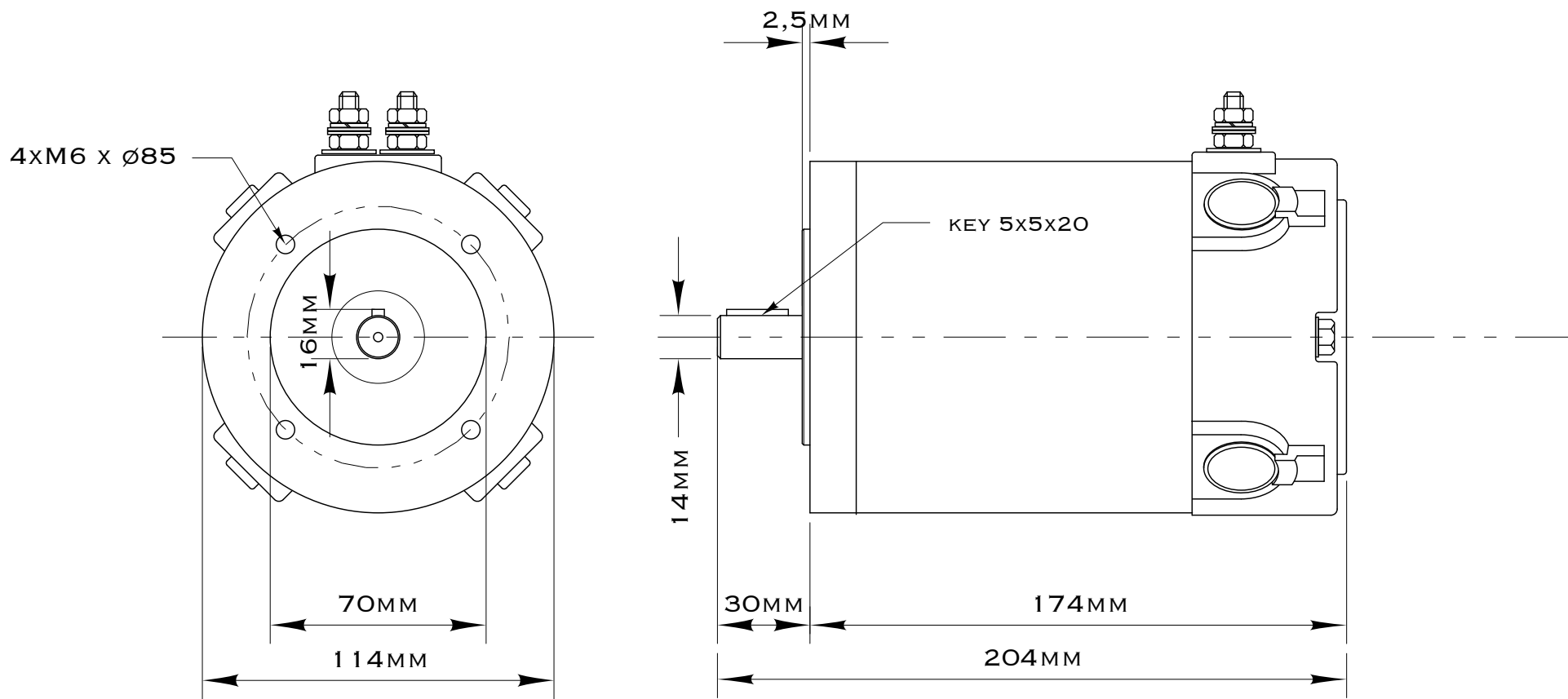


EL B14/71

AM 424801

CODE	EL600	DUTY TIME	S2 60MIN	SCALE 1:2
VOLTAGE	24V	CONTINUE	S1 450W	POWER CADD
POWER	550WATT	WEIGHT	6,80 KG	10.03.2017
ROT.	R+L	I.P.	54	DF TITTONI
R.P.M.	1750	NW	2,9	
AMP	32	TYPE	PERM.MAGN	



L I H G F E D C B A

10
9
8
7
6
5
4
3
2
1